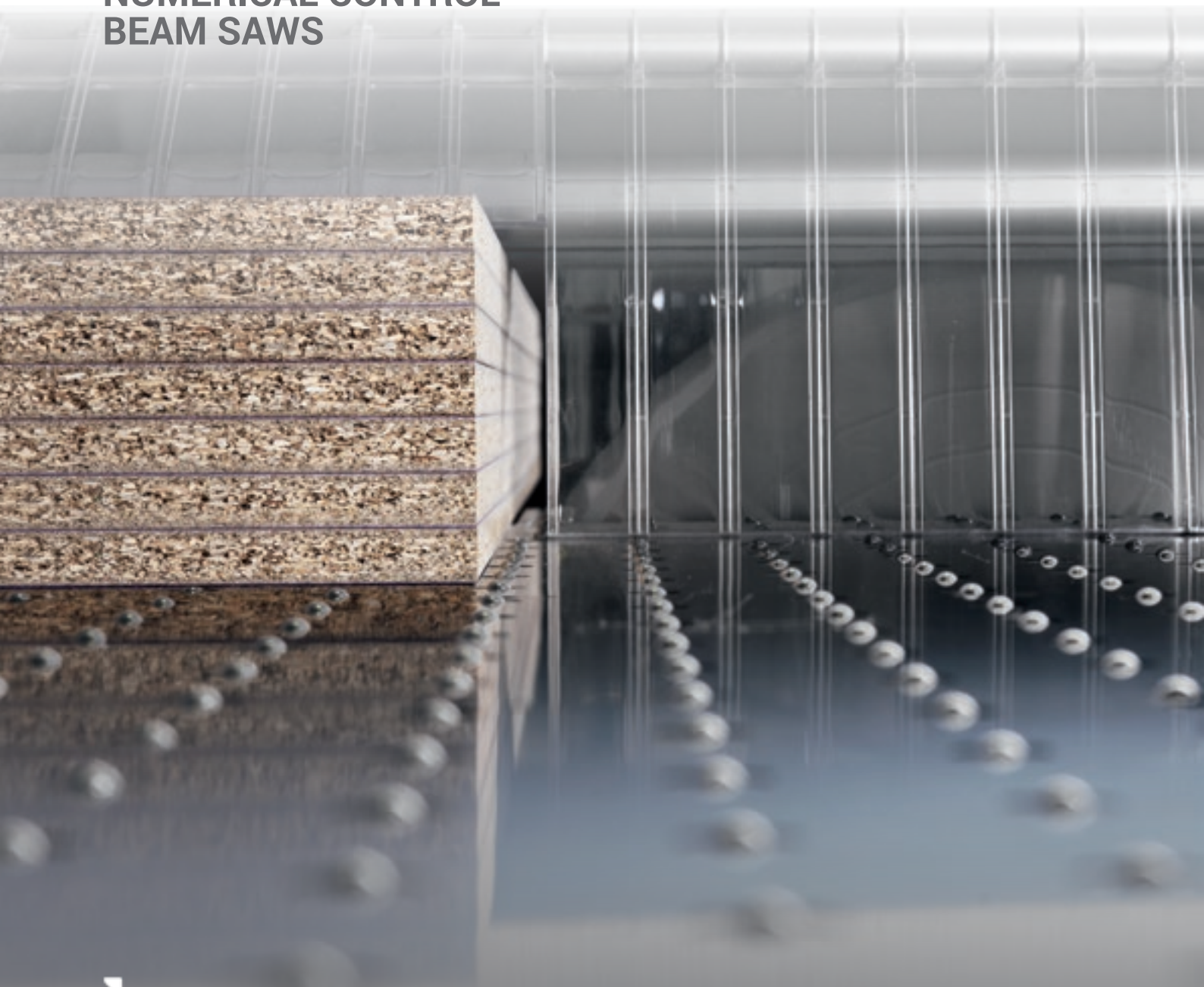
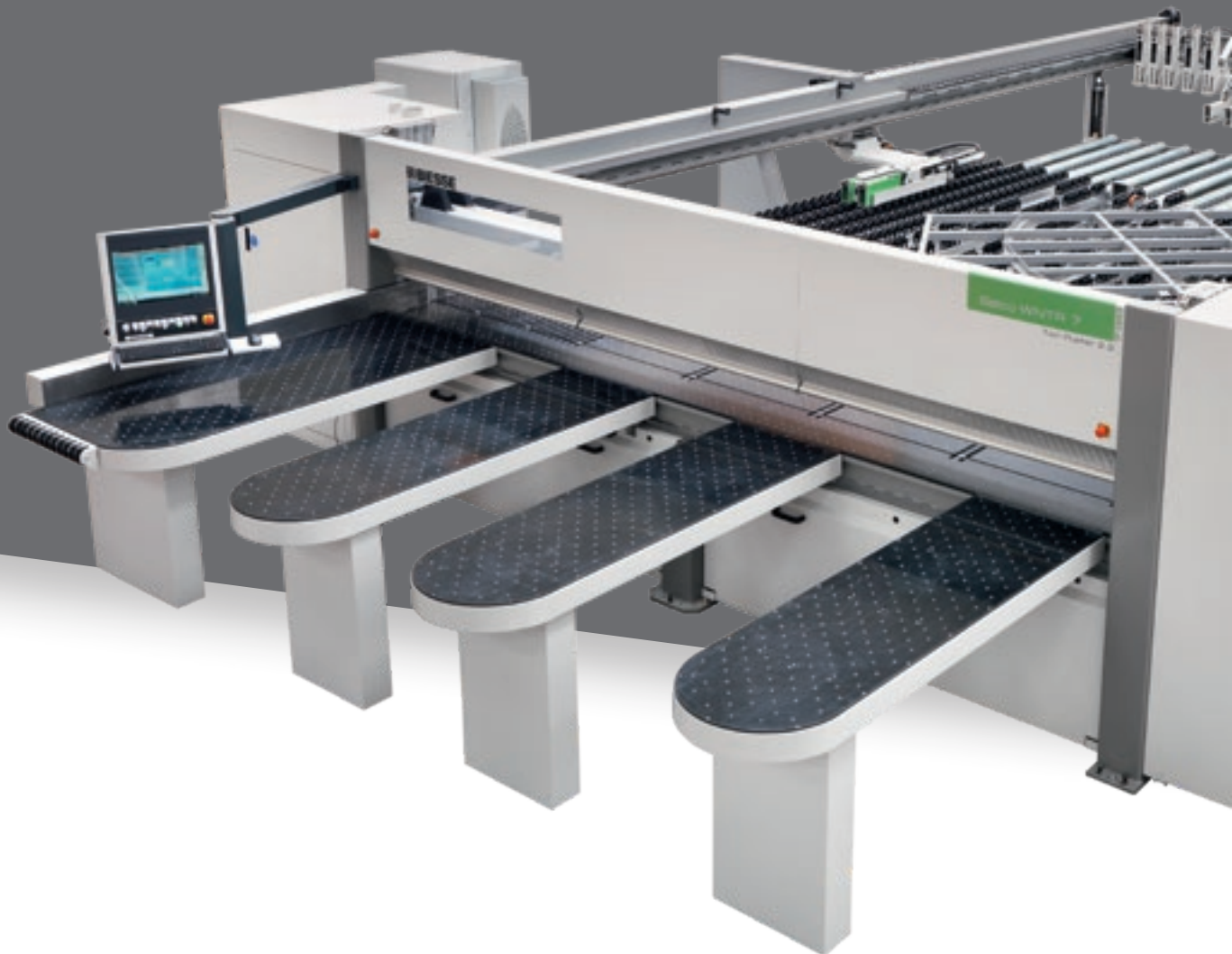


# SELCO CO WN 7

NUMERICAL CONTROL  
BEAM SAWS



# HIGH PRODUCTIVITY TECHNOLOGY



## THE MARKET EXPECTS

a change in manufacturing processes that enables companies to **accept the largest possible number of orders**. This is coupled with the need to maintain high quality standards while offering product customisation with **quick and defined delivery times**, as well as responding to the needs of most automated companies.

## BIESSE RESPONDS

with **technological solutions** that highlight and support technical expertise as well as process and material knowledge. **SELCO WN 7** is the result of continuous innovations aimed at increasing productivity and guaranteeing the overall quality of the machining operations. **SELCO WN 7** is positioned at the top of the range of beam saws with one cutting line: high performance in reduced times, to meet the needs of medium and large furnituremaking companies.



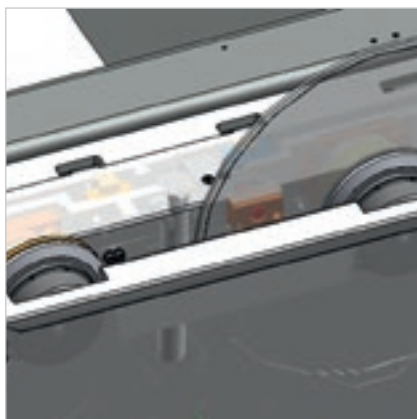
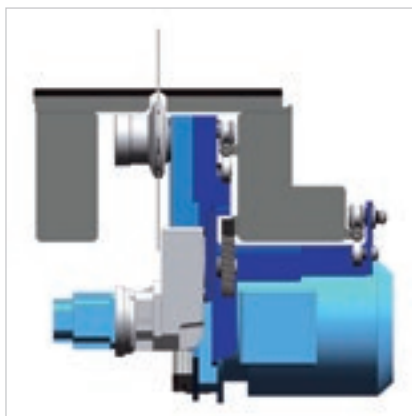
## **SELCO** WN 7

- ✓ TOP CUTTING QUALITY
- ✓ MACHINING PRECISION
- ✓ QUICK, SIMPLE ADJUSTMENTS
- ✓ LOAD OPTIMISATION FOR LARGE VOLUMES
- ✓ PRODUCTIVITY INCREASE OF UP TO 60%



# TOP CUTTING QUALITY

The solid structure of the base guarantees consistent quality and reliability, thanks to the perfect machining stability.



The anti-slide device controls the blade position and number of rotations, intervening to adjust the advance speed. **Maximum cutting quality, a longer blade lifespan, and reduced maintenance costs.**

Top product quality, thanks to the air cushioned working surface, which protects delicate materials. In addition, this characteristic ensures the surface next to the blade is kept constantly clean.



The optimum balancing and weight distribution on the two guides ensures the total absence of vibrations and perfectly straight cuts.



The motorised vertical blade adjustment ensures **precise, quick adjustment** of blade protrusion.



The pressure systems have an efficient suction system that guarantees the cutting quality, ensuring the area is always kept clean during the machining operation.



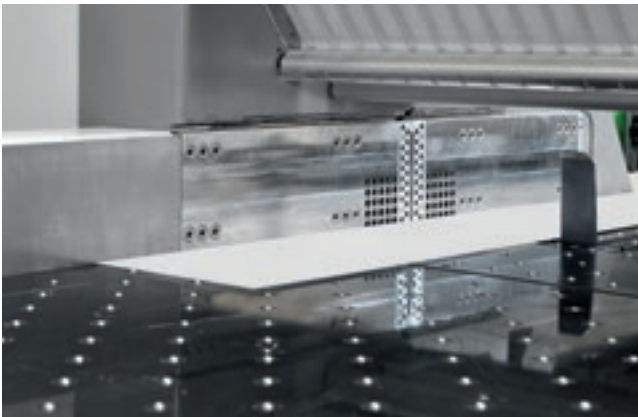
The single presser blocks the panels to be cut with evenly distributed and controlled pressure, guaranteeing excellent cutting quality.



The double presser has a split, independent structure that ensures even, controlled pressure on the book of panels to be cut thanks to the absence of openings for the grippers. It creates a real airtight chamber for rough trim cuts, allowing the dust to be completely removed.



# MACHINING PRECISION



Thanks to the side aligner integrated in the blade carriage, perfect positioning is possible even with very thin and/or flexible panels, thereby minimising cycle times.



↙  
Cutting line closure system, to prevent the longitudinal trim cuts from falling into the machine and fouling the blade path.

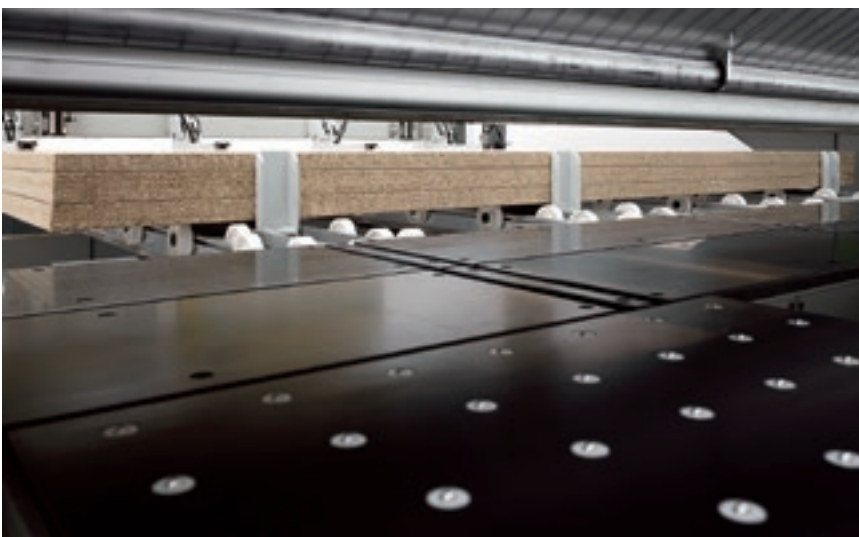




The robust pusher carriage accurately and quickly positions the panels thanks to its brushless motor. The slide surface below the pushing device is fitted with independent rollers to avoid making any marks on panels with a delicate surface.



Independent and self-levelling grippers ensure the book of panels is firmly secured and aligned. The design of the system completely ejects the cut panels making it easier for the operator to handle both the panels and waste.



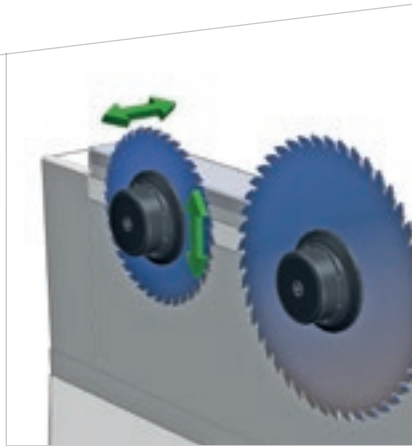
Powerful front aligners align the book of panels against the pushing device collets.

# TOOLING IN JUST A FEW SECONDS

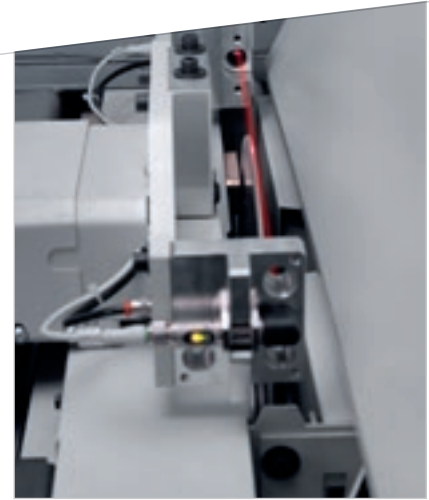
Patented systems for quick, simple adjustments.



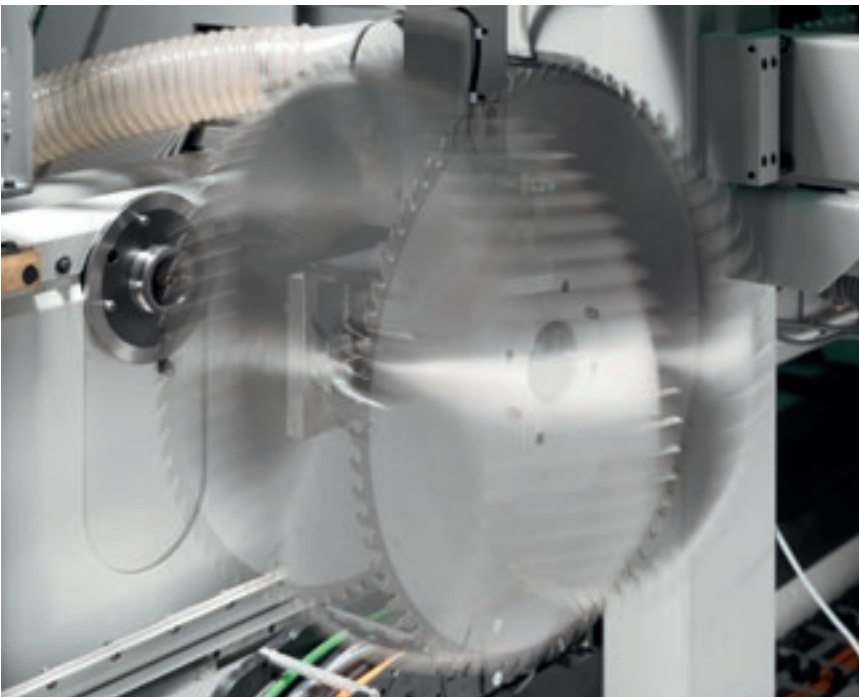
The "Quick change" system is the **fastest, safest and most ergonomic** device for replacing the blades without using tools.



**Fast, accurate setting** of the scoring and main blades, using Digiset system.



**Automatic alignment.** The patented system automatically aligns the scoring blade in seconds, which completely eliminates test cuts, reduces set-up time which increases efficiency and reduces production costs.



Thanks to the automated main blade change system, and the relative software, the blade can be replaced **completely automatically in just a few seconds, ensuring precise adjustment** and reducing cycle times.



# OPTIMISED LOADING FOR LARGE VOLUMES

On request special solutions are available for the movement of packs and to permit the loading and unloading of panels.



The rotating station (patented) rotates the book of panels, maintaining the alignment with the point of reference both before and after the rotation. Panel clamping devices avoid the misalignment of the stack during the rotation phase.



The lift table consists of a strong frame and is equipped with a special structure to load the pack of panels directly by forklift.



Infeed conveyors with free-running or powered rollers allow the loading and side or rear unloading of the panels.

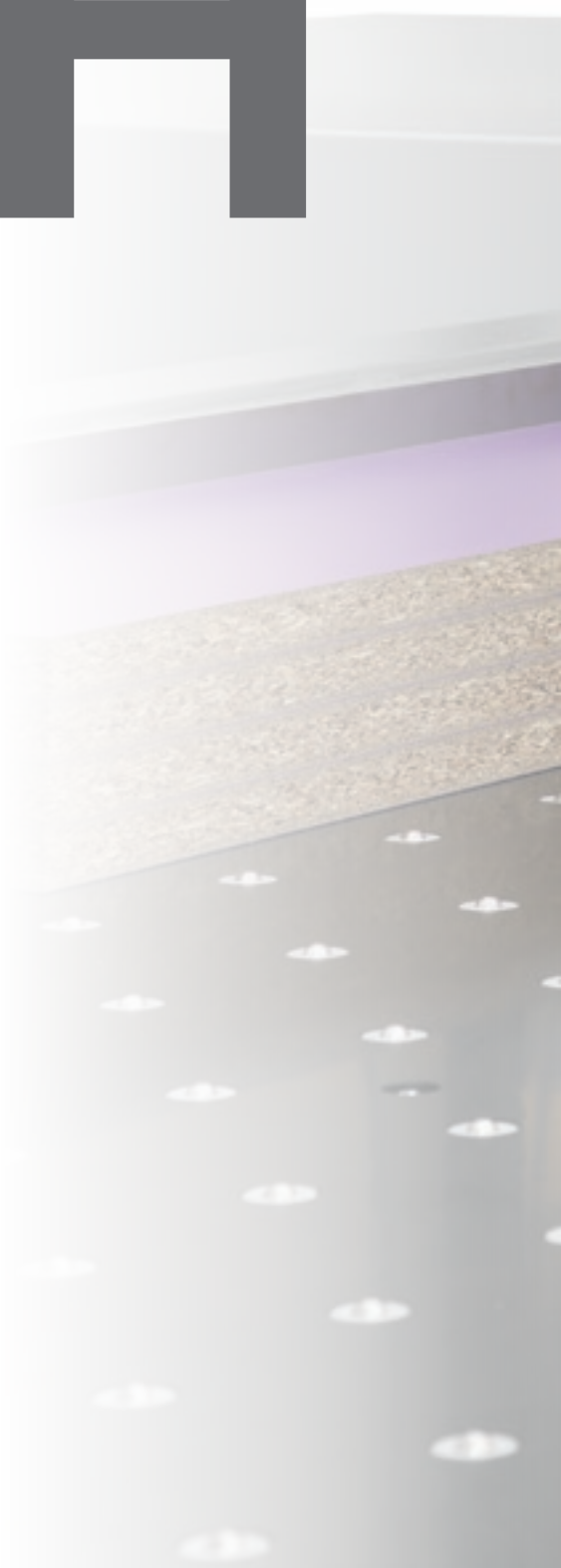
Double-level infeed conveyor. Thanks to the reduced footprint, which utilises height, the double-level infeed conveyor enables the optimisation of space and is perfectly suited to production sites that cannot accommodate two conveyors side by side.

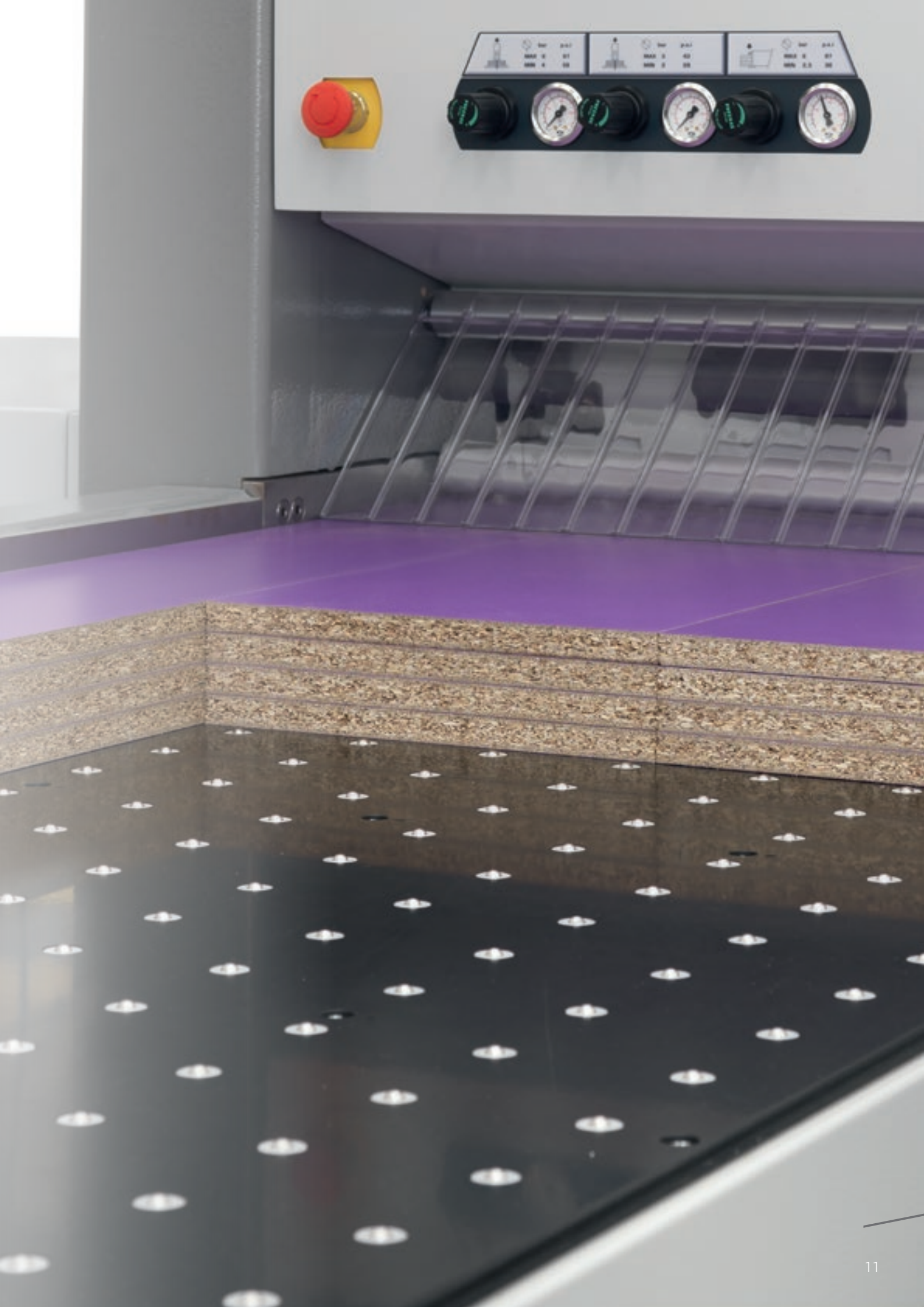
# TWIN PUSHER

## TWO BEAM SAWS IN ONE

The Twin Pusher, an exclusive patent for all Biesse beam saws, consists of two complementary pushing devices. An additional stop allows independent cutting of strips of up to 650 mm wide.

Increased productivity by up to 40%, optimum management of production efficiencies and a ROI within the first year.







# INCREASE PRODUCTIVITY BY UP TO 60%

Two independent cutting stations on a single beam saw.



An auxiliary pushing device consisting of two independent grippers with numerical control side positioning. An additional stop allows the independent sectioning of strips up to 1200mm wide.



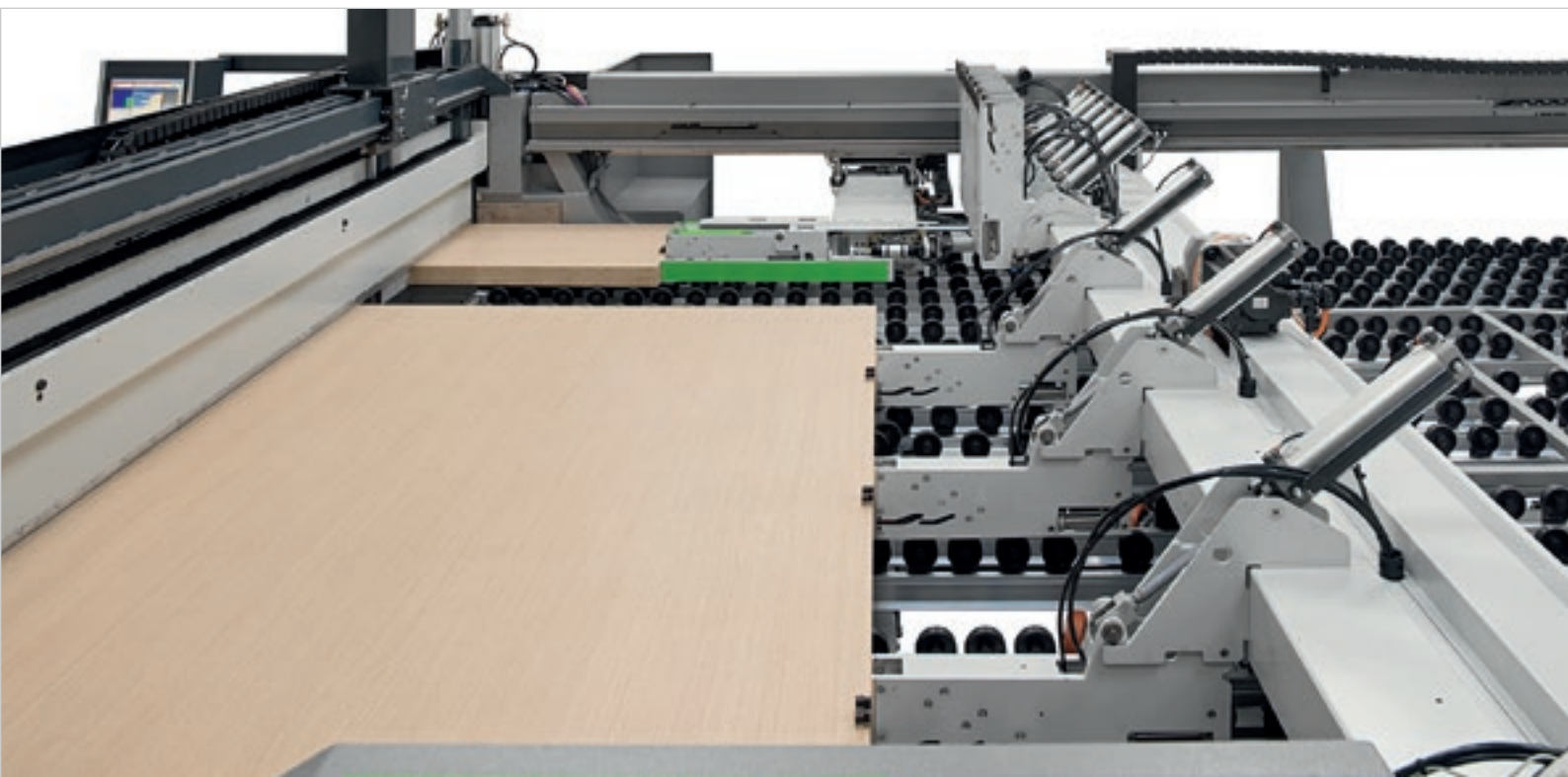
Differentiated cross cut, also for narrow strips.



Cross-cut of the last strip, with advanced loading and rotation of the next book of panels.



Rip and cross-cuts made in one single working cycle.



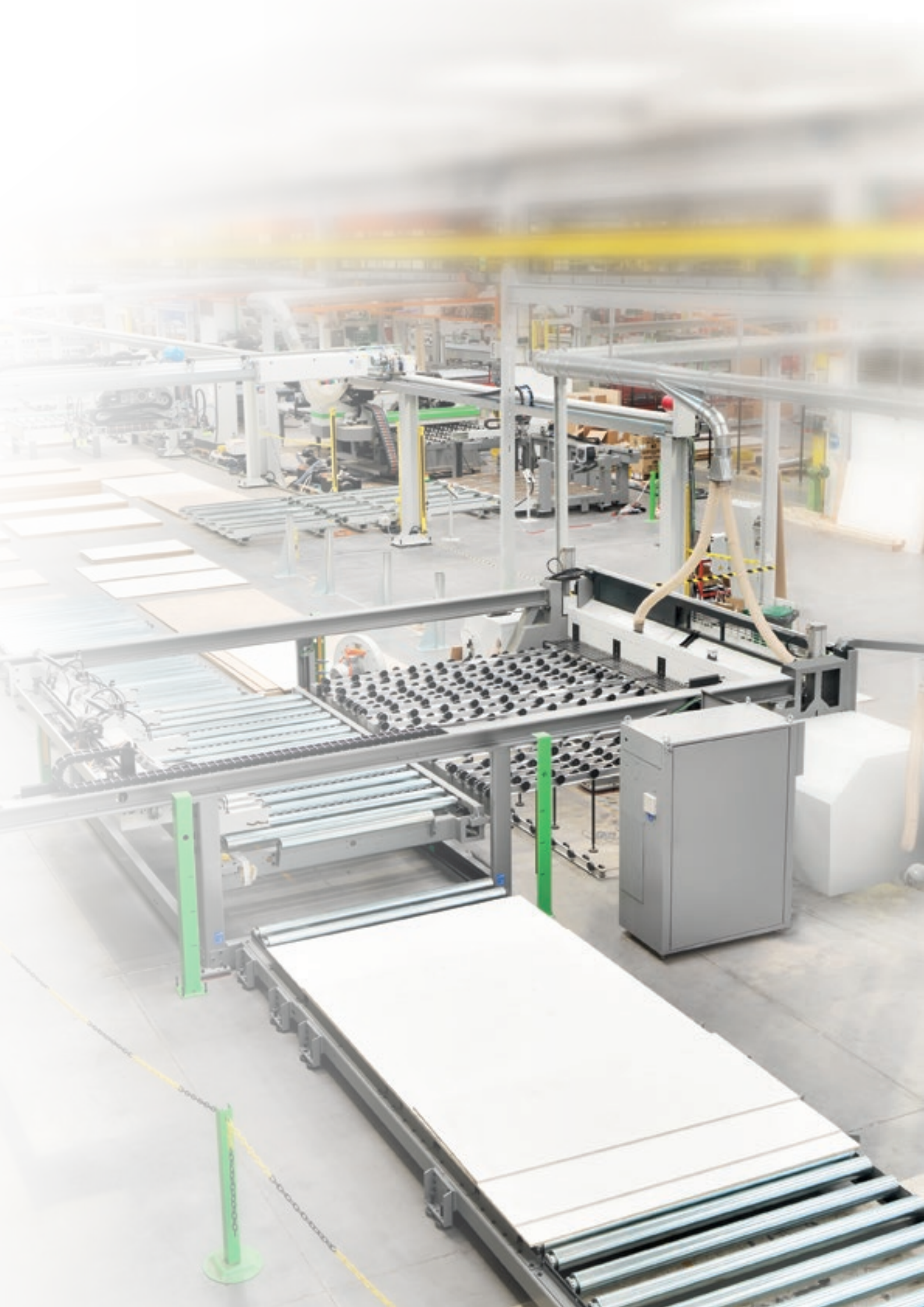
# PRODUCTION LINES

## COMPETITIVE CUSTOMISATION

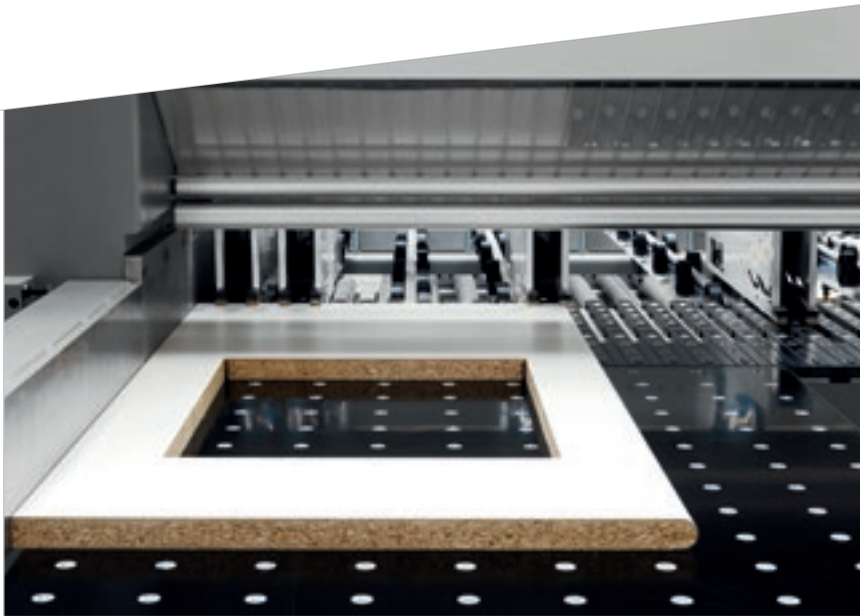
Biesse Systems is a team of highly trained engineers for large scale production processes. Biesse Systems offers integrated cells and systems that are capable of maximising customer competitiveness by combining mass production techniques with a high degree of customisation to meet customers' exact requirements.

Made-to-measure turnkey factories, plus the integration of Biesse Group solutions with complementary software and machinery, with over 1000 systems installed worldwide.

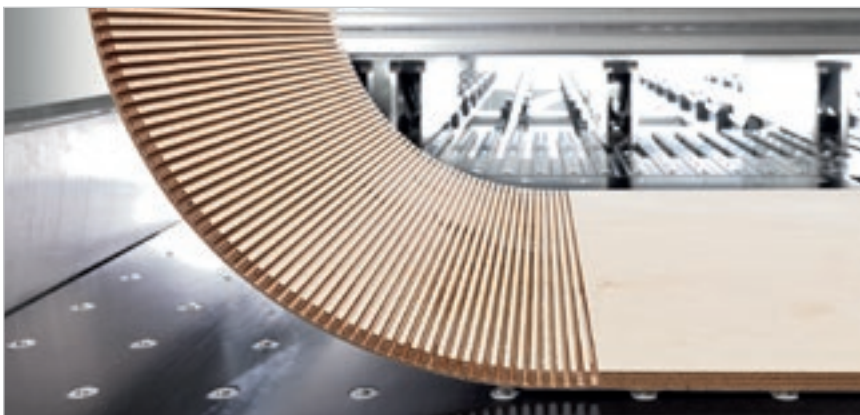




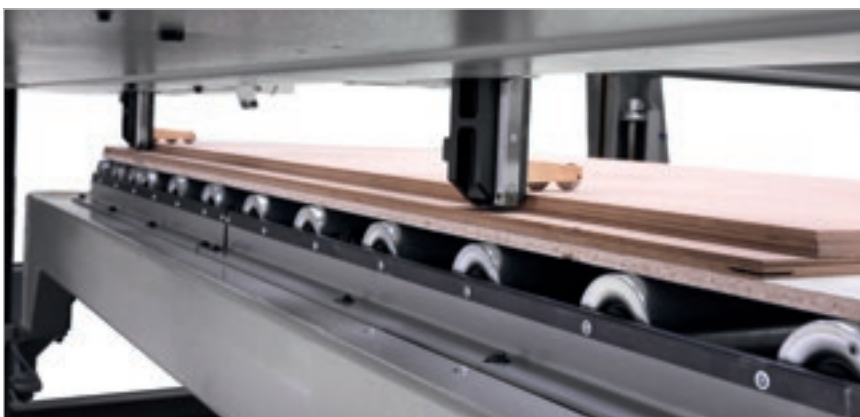
# AN ANSWER FOR EVERY NEED



Software and electronic devices for making window cuts and grooves on panels. The layouts can be stored on the numerical control.



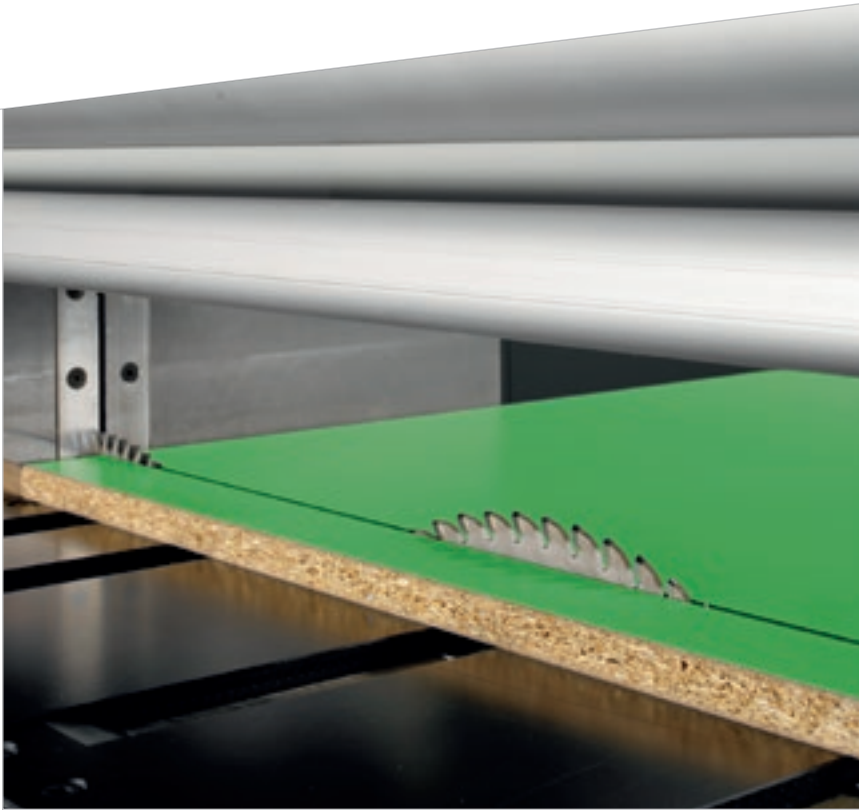
System for the automatic execution of grooves, whose width can be programmed via the numerical control. The groove depth can be adjusted manually from the outside of the machine and with the blades moving, or via an electronic device.



Thin panels can be loaded from the lifting table, using independent floating pushing points that are electronically controlled. A specific logic together with the front pop-up stops prevent the risk of mis-feeding (by means of attrition) those panels that don't belong to the book being fed.



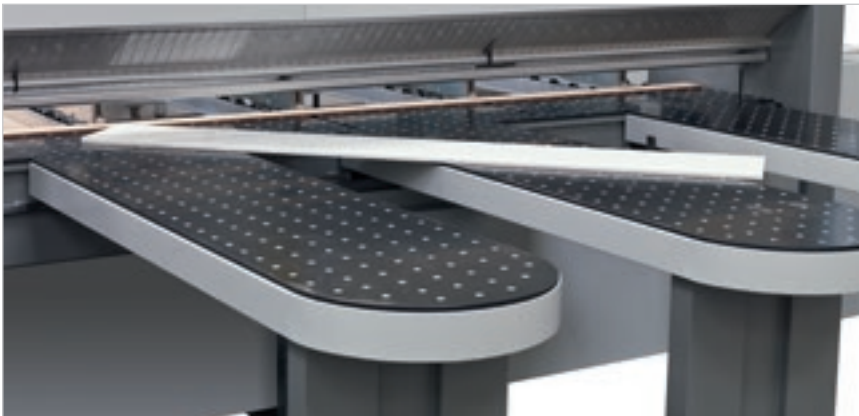
Technological solutions for every machining need.



**PFS function** for making cuts on soft and post-formed panels. A special NC program that ensures the perfect finish of both the entrance point and the exit profile, preventing any splintering of fragile, delicate materials (patented).



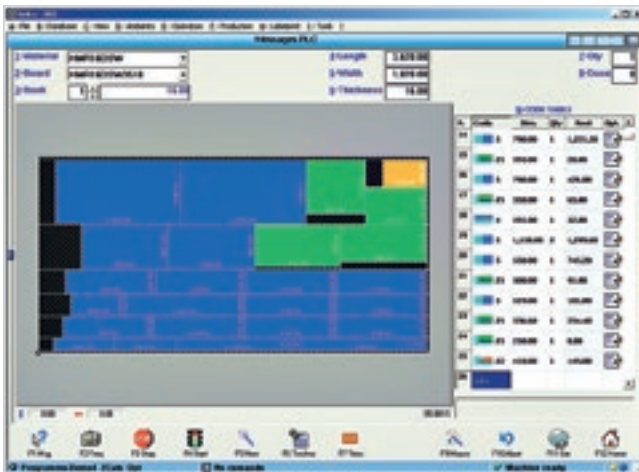
Automatic device for making angled cuts.





# EASY TO USE, WITH OPTIMISED MACHINING OPERATIONS

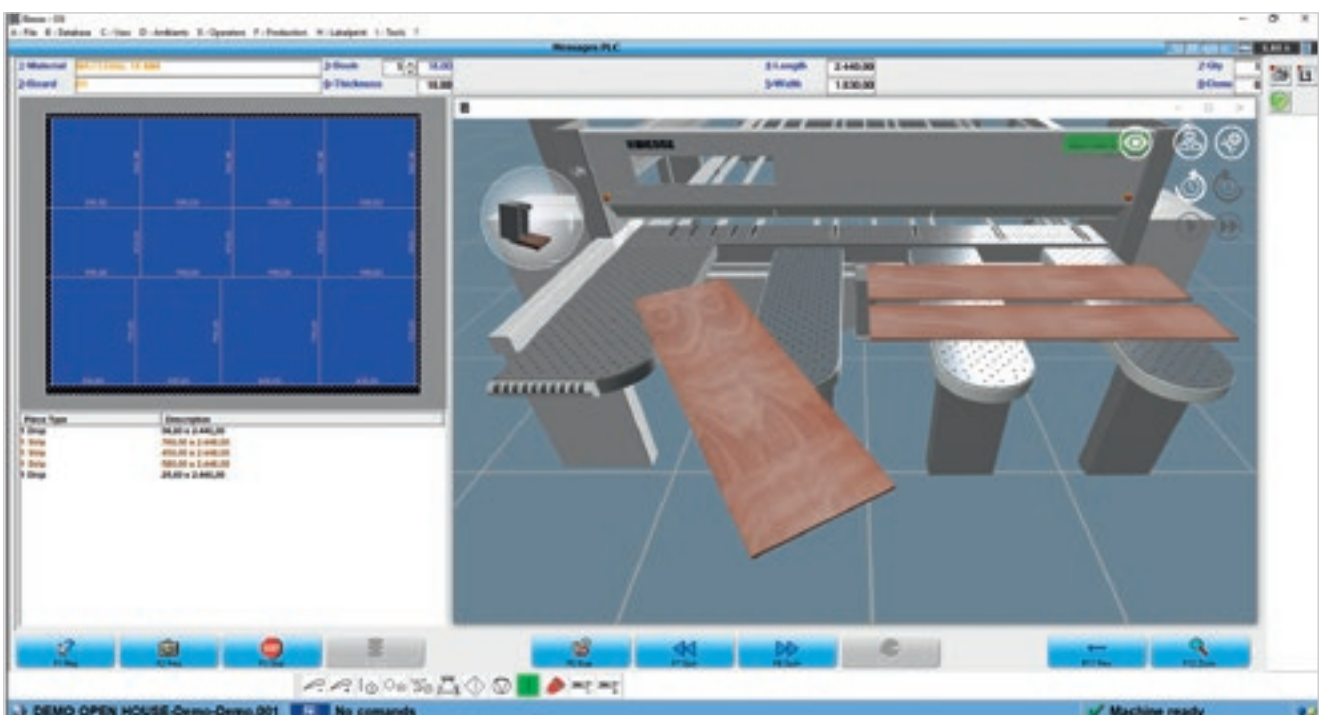
The OSI (Open Selco Interface) numerical control guarantees the management of the execution of cutting patterns, and optimizes all movements relative to controlled axis (i.e. Pusher and Saw Carriage, pressure beam, blade height). It ensures the blade protrudes from the book to the correct degree during sectioning, and calculates the most suitable cutting speed on the basis of the book height and trim cut width. It helps ensure the best cutting quality at all times.



Easy cutting pattern programming.

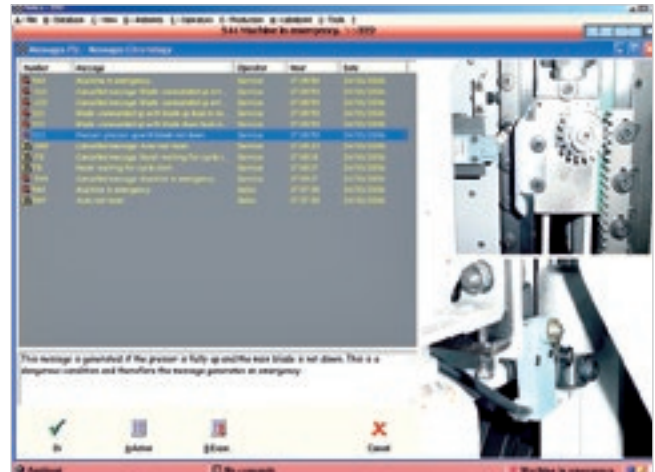


Graphic simulation in real time, with messages and information for the operator.

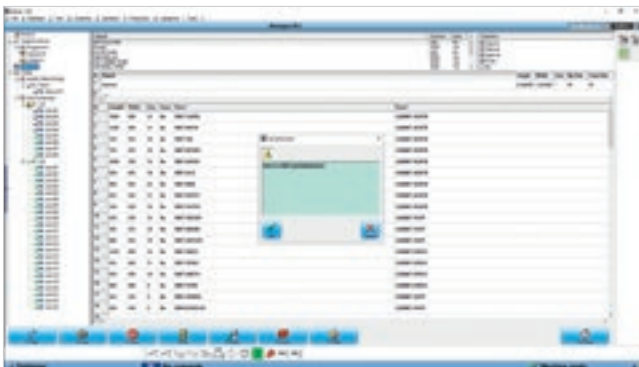




Interactive program for the quick, easy execution of cuts and grooves, even on recycled panels.



An effective diagnosis and troubleshooting program provides complete information (photos and text) to ensure that any problems are quickly resolved.

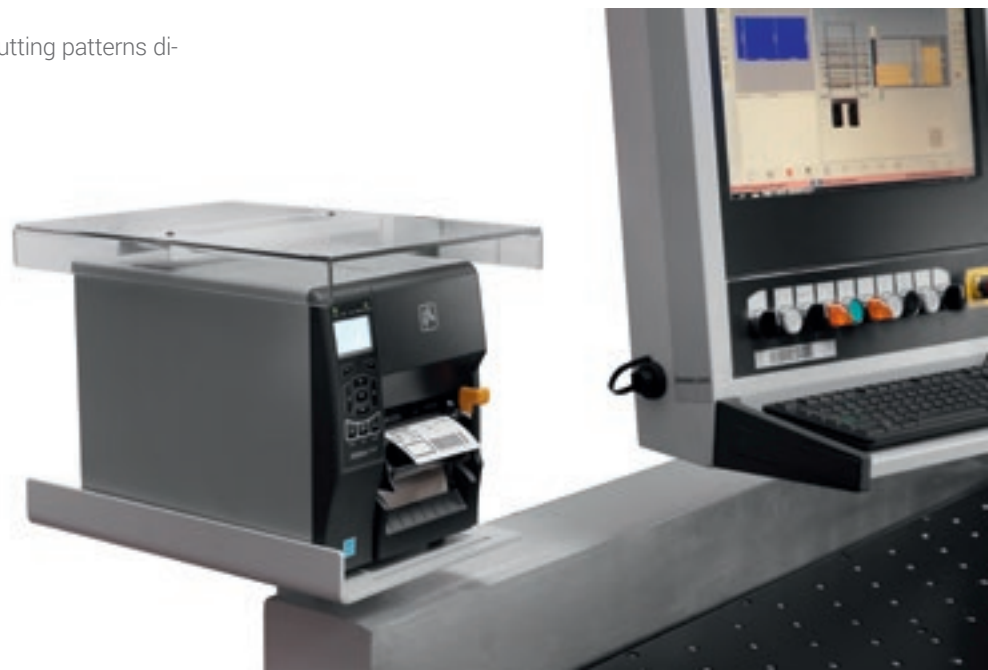


### Quick Opti

Simple, intuitive software for optimising the cutting patterns directly on the machine.\*

### Labelling.

A special software creates individual labels and prints them in real time, on the machine. The information available can also be printed in bar code form.



# SOFTWARE FOR THE SMART, ASSISTED MANAGEMENT OF CUTTING PATTERNS



**B\_OPTI IS THE SOFTWARE FOR OPTIMISING CUTTING PATTERNS, DEVELOPED ENTIRELY BY BIESSE. BASED ON THE LIST OF PIECES TO BE PRODUCED AND THE PANELS AVAILABLE, IT CAN CALCULATE THE BEST SOLUTION TO MINIMISE MATERIAL CONSUMPTION, SECTIONING TIMES AND PRODUCTION COSTS.**

- Simple, user-friendly interface.
- Excellent reliability of the calculation algorithms for production batches in small and large companies.
- Automatic import of the cutting list generated by the software for the design of furniture items and/or ERP management systems.





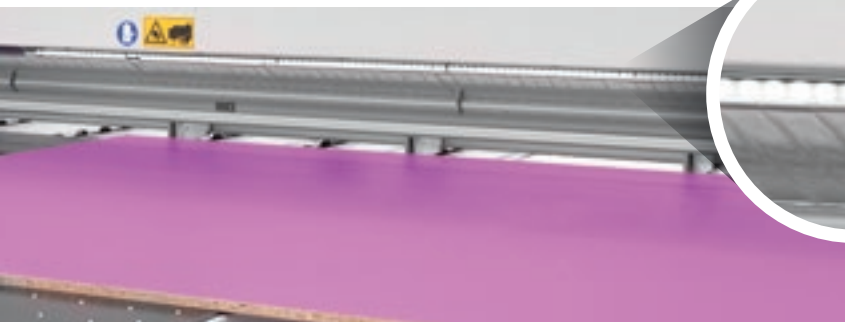


# TRACKING LIGHT

SOLUTION FOR THE SIMPLE,  
ERGONOMIC AND EFFICIENT USE  
OF THE MACHINE.



Tracking Light is the technological solution, with a band of dynamic LEDs on the cutting line, developed by Biesse to help the operator in the various work phases. The LEDs assume different colours to indicate the various steps of the task, acting as a guide and making the use of the machine simple and intuitive. The operator can monitor the machine status safely at any time, without checking the simulation on the monitor and avoiding any risk of error.



#### **WHITE LEDs**

The flashing white LEDs indicate the phase of panel loading on the machine, and the width of the piece to be loaded.



#### **BLUE LEDs**

The blue LEDs indicate that the panel is being machine, and that the outfeed parts need further processing.

## TRACKING LIGHT HELPS THE OPERATOR DURING MANUAL TASKS, ACTING AS A GUIDE THROUGHOUT THE PROCESS

- ▣ No risk of mistakes
- ▣ Optimised management of the task
- ▣ Smooth, efficient cutting cycles
- ▣ User friendly
- ▣ Practical design



## DEVICE DESIGNED TO MAKE YOUR TECHNOLOGIES EVEN SMARTER.

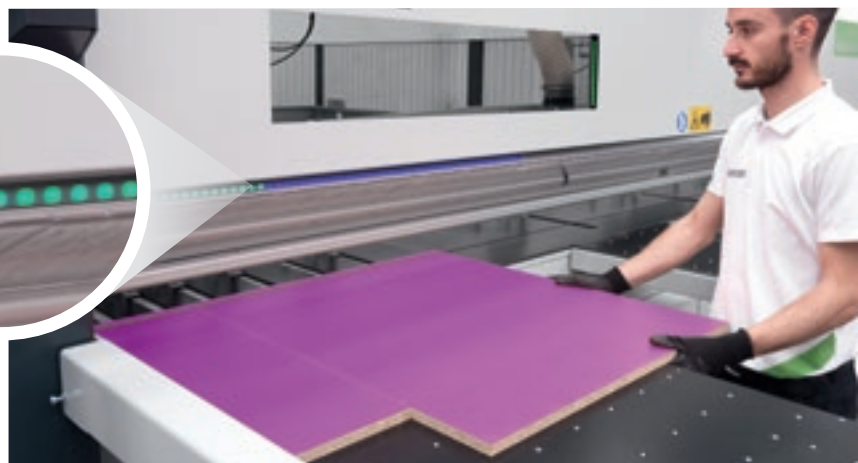
### DYNAMIC LED INDICATORS

The moving white LEDs indicate the manual piece rotation direction, whereas the LEDs with a brighter light correspond to the exact width of the piece to be loaded.



### GREEN LEDs

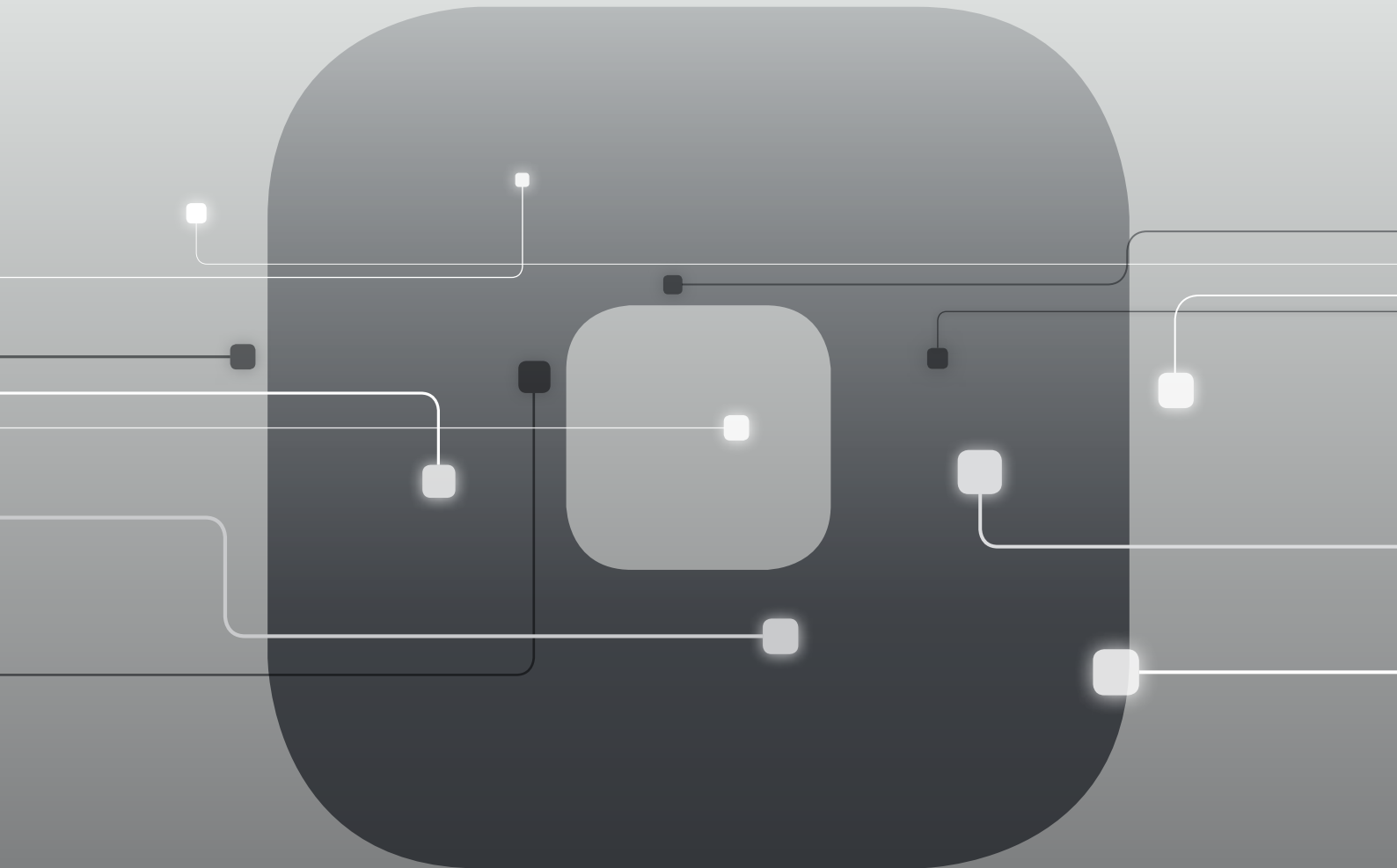
The green LEDs indicate that the cutting phase has been completed and the outfeed panel does not need any further processing.





# SOPHIA

GREATER VALUE FROM MACHINES



SOPHIA is the IoT platform created by Biesse in collaboration with Accenture which enables its customers to access a wide range of services to streamline and rationalise their work management processes.

It allows alerts and indicators to be sent to the customer in real time, in relation to production, the machines used and the type of process carried out. These are detailed instructions for more efficient use of the machine.

□ **10% CUT IN COSTS**

□ **50% REDUCTION  
IN MACHINE DOWNTIME**

□ **10% INCREASE  
IN PRODUCTIVITY**

□ **80% REDUCTION IN PROBLEM  
DIAGNOSTICS TIME**

**SOPHIA TAKES THE INTERACTION BETWEEN  
CUSTOMER AND SERVICE TO A HIGHER LEVEL.**

**iOT**  
SOPHIA

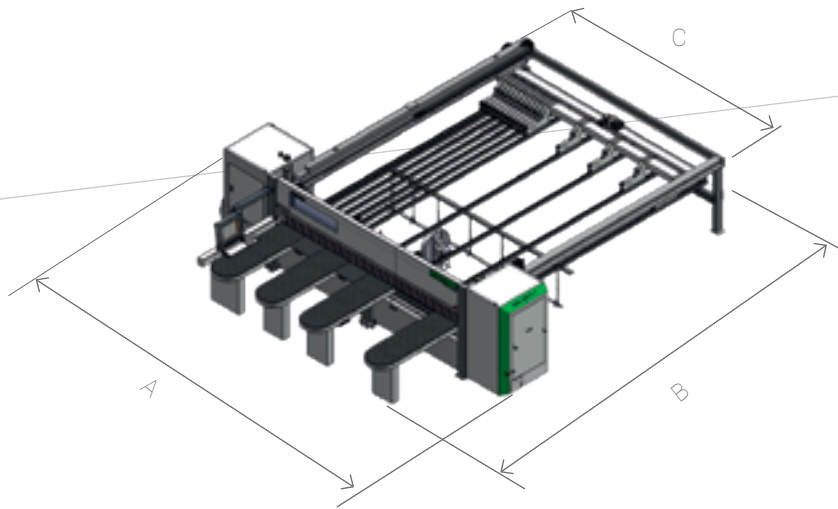
IoT - SOPHIA provides a comprehensive overview of the specific machine performance features, with remote diagnostics, machine stoppage analysis and fault prevention. The service includes a continuous connection with the control centre, the option of calling for assistance from within the customer app (such calls are managed as priorities), and an inspection visit for diagnostic and performance testing within the warranty period. Through SOPHIA, the customer receives priority technical assistance.

**PARTS**  
SOPHIA

PARTS SOPHIA is the easy new, user-friendly and personalised tool for ordering Biesse spare parts. The portal offers customers, dealers and branches the chance to navigate within a personalised account, consult the constantly updated documentation of the machines purchased, and create a spare parts purchase basket indicating the real time availability in the warehouse and the relative price list. In addition, the progress of the order can be monitored at all times.

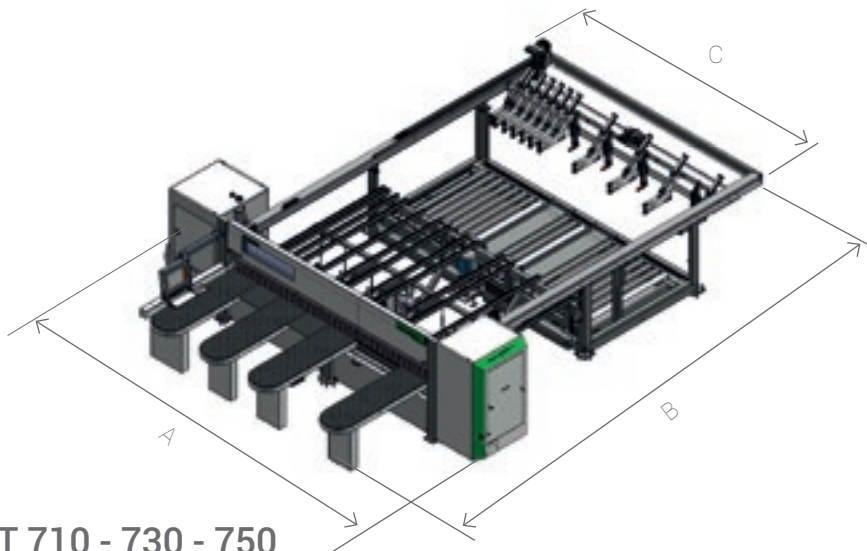
 **Biesse**

# TECHNICAL DATA



**SELCO WN 710 - 730 - 750**

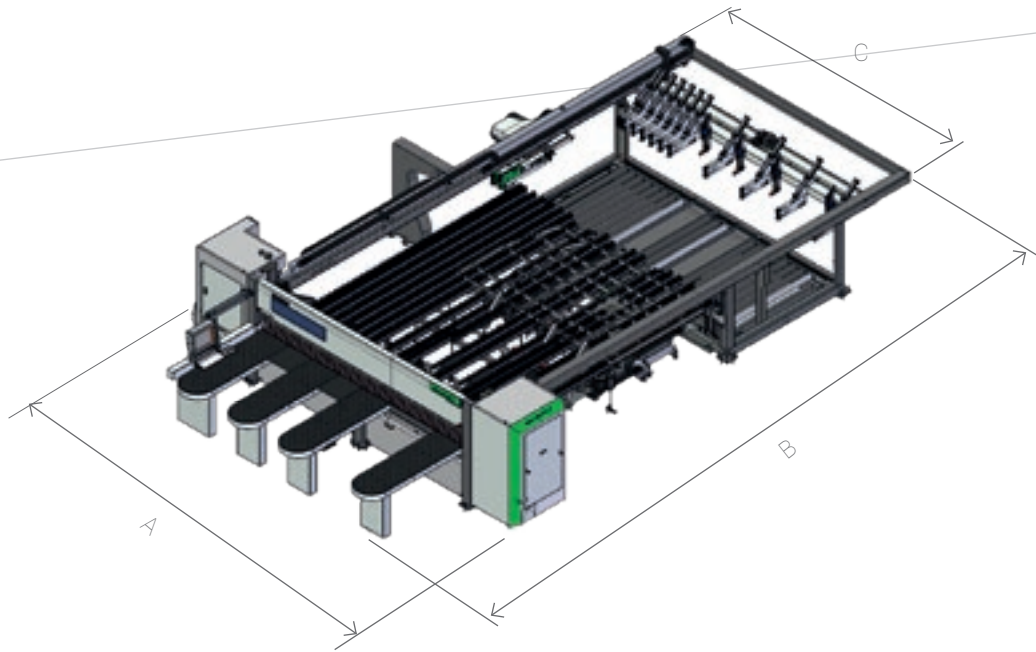
	<b>3800X3200</b>	<b>4500X4500</b>	<b>5900X5700</b>
	mm/inch	mm/inch	mm/inch
<b>A</b>	6370/250.8	7070/278.3	8470/333.5
<b>B</b>	7070/278.3	8370/329.5	9570/376.8
<b>C</b>	4210/165.7	4910/193.3	6310/248.4



**SELCO WNT 710 - 730 - 750**

	<b>3800X2200</b>	<b>4500X2200</b>	<b>4500X3000</b>	<b>5900X2200</b>	<b>5900X3000</b>
	mm/inch	mm/inch	mm/inch	mm/inch	mm/inch
<b>A</b>	6370/250.8	7070/278.3	7070/278.3	8470/333.5	8470/333.5
<b>B</b>	9320/366.9	9320/366.9	11120/437.8	10320/406.3	11120/437.8
<b>C</b>	4210/165.7	4910/193.3	4910/193.3	6310/248.4	6310/248.4





## SELCO WNTR 710 - 730 - 750

	4500X2200	4500X3000	5900X2200	5900X3000
	mm/inch	mm/inch	mm/inch	mm/inch
<b>A</b>	7070/278.3	7070/278.3	8470/333.5	8470/333.5
<b>B</b>	11570/455.5	12920/508.7	12920/508.7	14270/561.8
<b>C</b>	4910/193.3	4910/193.3	6310/248.4	6310/248.4

		710	730	750
<b>Maximum blade protrusion</b>	mm/inch	107/4	127/5	152/6
<b>Main blade motor</b>	kW	18,5		22
<b>Engraver blade motor</b>	kW	2,2		
<b>Blade carriage transfer</b>		brushless		
<b>Blade carriage speed</b>	m/min -ft/min	0-150 / 0-492.1	0-185/ 0-606.9	
<b>Pushing device transfer</b>		brushless		
<b>Pushing device speed</b>	m/min -ft/min	90- 295.2	90-130 / 295.2-426.5	130-426.5

The technical specifications and drawings are non-binding. Some photos may show machines equipped with optional features. Biesse Spa reserves the right to carry out modifications without prior notice.

Equivalent sound pressure level in position in the work area during machining (LpA) dB(A) 82,76. Environmental correction factor (K) dB(A) 5,35. Sound power level during machining (LwA) dB(A) 106,14. Weighted peak instantaneous sound pressure in the work area during machining dB(C) < 130. Uncertainty of measurement K = 4 dB (A).

The measurement was carried out in compliance with ISO 3746, ISO 11202. The noise levels indicated are output levels and do not necessarily represent safe operational levels. Even though there is a relation between emission levels and exposure levels, this cannot be used reliably to establish whether or not further precautions are necessary. The factors determining the actual noise levels to which the operative personnel are exposed to include the length of exposure, the characteristics of the work environment, other emission sources, i.e. the number of machines and machining operations in the vicinity. In any case, this information will help the machine user to better assess the danger and risks involved.

# CUSTOMER CARE IS WHO WE ARE

**SERVICES** is a new experience for our customers, to offer not just excellent technology but the added value of an increasingly direct connection with the company, the professionals who work there and the experience they embody.



## **ADVANCED DIAGNOSTICS**

Digital channels for remote interaction online 24/7. Always ready to intervene on-site seven days a week.



## **A WORLDWIDE NETWORK**

39 branch offices, over 300 certified agents, retailers in 120 countries, and spare parts warehouses in America, Europe and the Far East.



## **SPARE PARTS AVAILABLE IMMEDIATELY**

Identification, shipping and delivery of spare parts for every need.



## **EVOLVED TRAINING OPPORTUNITIES**

Lots of on-site, online and classroom training modules for personalised growth.



## **VALUABLE SERVICES**

A wide range of services and software packages to help our customers achieve continuous improvements in performance.

## AN EXCELLENT LEVEL OF SERVICE

**+550**

HIGHLY SPECIALISED  
TECHNICIANS AROUND  
THE WORLD, READY TO HELP  
CUSTOMERS WITH EVERY  
NEED

**90%**

OF MACHINE DOWN CASES  
WITH RESPONSE TIME  
UNDER 1 HOUR

**+100**

EXPERTS IN DIRECT  
CONTACT THROUGH  
REMOTE CONNECTIONS  
AND TELESERVICE

**92%**

OF SPARE PARTS ORDERS  
FOR MACHINE DOWNTIME  
PROCESSED WITHIN 24  
HOURS

**+50.000**

ITEMS IN STOCK IN THE  
SPARE PARTS WAREHOUSES

**+5.000**

PREVENTIVE MAINTENANCE  
VISITS

**80%**

OF SUPPORT REQUESTS  
SOLVED ONLINE

**96%**

OF SPARE PARTS ORDERS  
DELIVERED IN FULL ON TIME

**88%**

OF CASES SOLVED WITH  
THE FIRST ON-SITE VISIT



# MADE WITH BIESSE

## VAN DER GUCHT FROM SMALL SHOP TO LARGE LANDMARK WITHOUT RENOUNCING ITS VALUES

Ideas, personalisation, quality and the right price: those are the fixed points of Houtshop Van Der Gucht, a Belgian company that skilfully took customer satisfaction and turned it into a major business.

The enterprise that is now Houtshop Van der Gucht first started on the outskirts of Temse where Prosper Van Der Gucht founded the business in the '30s. "My grandfather started this adventure by selling wicker baskets and then shifted to selling wood. We are now the fourth generation to run a company that originally started as a little shop on the edge of town and grew over the years, initially thanks to my father and now thanks to us, the fourth generation. The result is a full-fledged business, which we are very proud of," says Nicholas Van Der Gucht, CEO of the company.

"This business started thanks to my entrepreuring grandfather who decided to open a small shop in the centre of town in 1930. Today that small shop has become a veritable company that can celebrate 85 years of work and success and boasts a revenue of €15 million" continues Nicholas Van Der Gucht. "We serve different target groups: 35% of our customers belong to the B2B segment, while the remaining 65% belong to the B2C universe."

Despite years of expansion the Van der Gucht company has remained true to its distinctive traits: the continuity of its range and the professionalism of its employees, who work to ensure that customers always receive professional service and fair prices. The group employs 50 people, ten of whom are carpenters that work in close contact

with the machines acquired from Biesse. "Three years ago I heard very good reports about both Biesse machines and their connectivity. Sophia will, in fact, be my next investment to further boost the efficiency of the factory by allowing me to connect the various machines we've purchased to each other. My first investment was in 2016, when I decided to purchase my first 5-axis Rover B1615. Choosing a partner like Biesse has allowed us to meet our customers' needs, highlighting our strengths and helping pick up the pace of work significantly. With the help of Biesse machines, we are now able to meet an order in exactly half the time it used to take us in the past. Thanks to technology we are able to grow by 3-4% every year, achieving a return on investment of €15 million."

Founded in Italy,  
international native.

We are an international company that manufactures integrated lines and machines to process wood, glass, stone, plastic and composite materials and what will come next.

Thanks to our rooted competence nurtured by an ever-growing worldwide network, we support your business evolution – empowering your imagination.

Master of materials, since 1969.

We simplify your  
manufacturing  
process to make  
the potential of  
any material  
shine.



Join the  
Biesse world.

[biesse.com](https://www.biesse.com)



